

A2 - High efficient ballasts for HS, HI and HM lamps

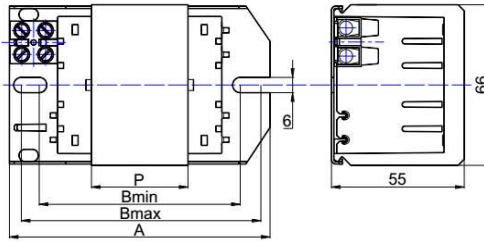


Figure 1

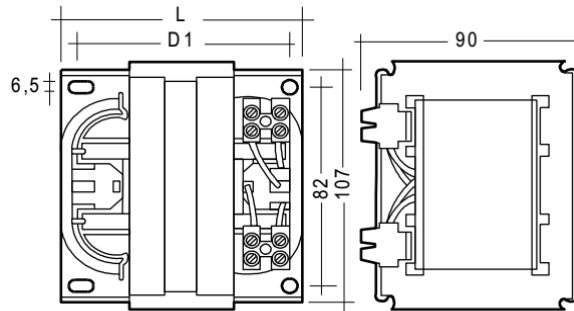


Figure 2

**Core Cross-Section: 55 x 66 mm
90 x 107 mm**

Vacuum impregnated with polyester resin

Screw terminals: 1,5 – 4 mm²

tw 130°C

Protection class 1

EN 60923, EN 61347

Made in Slovenia (EU)

Lamp			Ballast													Cap.
Power	Type	Current	Type	Ord. No.	Voltage	Figure	A	Bmin	Bmax	P	Weight	Δt	TS ^{*1}	EEL	Approval	Cp
W		A			V at 50Hz		mm	mm	mm	mm	kg	K				μF ±10%
50	HS	0.76	SXN 530-50 TS	12348	230	1	108	83	100	42	1.3	45	Yes	A2	-	10
70	HS/HI	1.00	SITX 530-70 TS	9104	230	1	125	100	118	64	1.9	50	Yes	A2	-	12
70	HS/HI	1.00	SITX 540-70 TS	10852	240	1	125	100	118	64	1.9	50	Yes	A2	-	12
70	HS/HI	1.00	SITX 543-70 TS	10854	230/240	1	125	100	118	64	1.9	50	Yes	A2	-	12
100	HS/HI	1.20	SITX 530-100 TS	9103	230	1	125	100	118	64	1.9	50	Yes	A2	-	16
100	HS/HI	1.20	SITX 543-100 TS	10855	230/240	1	125	100	118	64	1.9	50	Yes	A2	-	16
150	HS/HI	1.80	SITX 530-150 TS	10686	230	1	180	155	172	110	3.1	45	Yes	A2	-	20
150	HS/HI	1.80	SITX 543-150 TS	10856	230/240	1	180	155	172	110	3.1	45	Yes	A2	-	20
250	HS/HI	3.00	OGLIS 250	11052	230-250	2	114	100	-	60	4.35	50	Yes	A2	-	32
250	HM/HI	2.15	OGL 250	11007	220-240	2	84	70	-	30	2.47	65	No	A2	-	18
400	HM	3.25	OGL 400	11008	220-240	2	94	80	-	40	3.05	75	No	A2	ENEC	35
400	HM	3.25	OGLI 400	11014	230-250	2	104	90	-	50	3.73	55	Yes	A2	ENEC	35
400	HI	3.50	OGLI 400	11014	230-250	2	104	90	-	50	3.73	65	Yes	A2	ENEC	35
400	HS	4.4-4.6	OGLS 400	11030	220-240	2	114	100	-	60	4.28	75	Yes	A2	ENEC	45
400	HI	3.8-4.4	OGLS 400	11030	220-240	2	114	100	-	60	4.28	75	Yes	A2	ENEC	45

Note:

Other versions available on request.

*1 TS – Thermal protection