

A2 Class 2 ballasts for HS and HI lamps

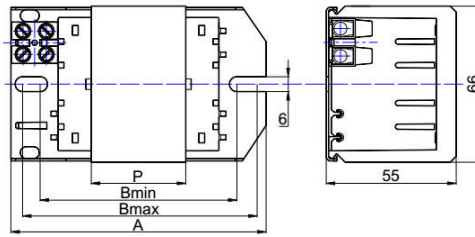


Figure 1

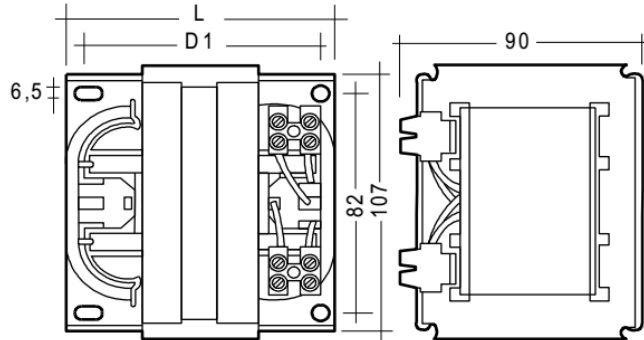


Figure 2

**Core Cross-Section: 55 x 66 mm
90 x 107 mm**

Vacuum impregnated with polyester resin

Screw terminals: 1,5 – 4 mm²

tw 130°C

Protection class 2

(reinforced insulation, irreversible fuse)

EN 60923, EN 61347 CE

Made in Slovenia (EU)

Lamp			Ballast													Cap.
Power	Type	Current	Type	Ord. No.	Voltage	Fig.	A	Bmin	Bmax	P	Weight	Δt	TS ^{*1}	EEL	Cp	
W		A			V at 50Hz		mm	mm	mm	mm	kg	K			μF ±10%	
70	HS/HI	1.00	SIC2 543-70 TS	10758	230/240	1	108	83	100	38	1.20	65	Yes	A2	12	
100	HS/HI	1.20	SIC2 543-100 TS	10757	230/240	1	145	121	138	60	1.85	60	Yes	A2	16	
70	HS/HI	1.00	SIC2 530-100/70 TS	10750	230	1	145	121	138	60	1.85	60	Yes	A2	12	
100	HS/HI	1.20	SIC2 530-100/70 TS	10750	230	1	145	121	138	60	1.85	60	Yes	A2	16	
100	HS/HI	1.20	OGLS 150/100 C201D	10877	230	2	94	76	84	40	3.01	75	Yes	A2	16	
150	HSHI	1.80	OGLS 150/100 C201D	10877	230	2	94	76	84	40	3.01	75	Yes	A2	20	
250	HS/HI	3.00	OGLIS 250 C203D	11071	230-250	2	94	76	84	40	3.15	70	Yes	A2	32	
400	HS/HI	4.2-4.6	OGLS 400 C203D	11072	230-250	2	114	96	104	60	4.35	70	Yes	A2	35	

Note:

Other versions available on request.

*1 TS – Thermal protection, irreversible fuse