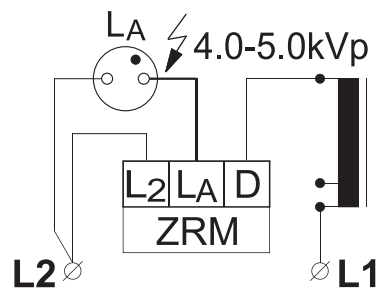
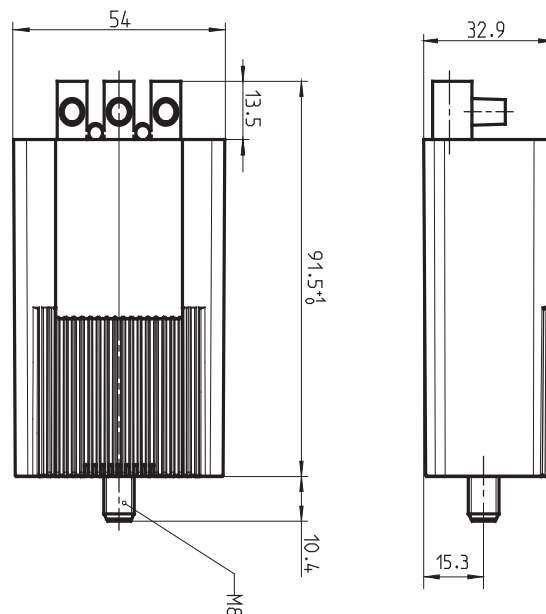



ZRM 12-ES/C 400

Lampen	600W	750W	1000W	1500W	2000W
HI/MBI			●	●	●
HS/SON	●	●	●		

Type ZRM 12-ES/C 400

Article number		87500095 - 12320
Rated voltage	V	380-415
Permitted input voltage	V	342-440
Mains frequency	Hz	50-60
Ignition voltage	kV	4.0-5.0
Lamp wattage HS	W	600-1000
Lamp wattage HI	W	1000-2000
Temperature rise at IB = 3.4A (600W)	K	3.5
IB = 3.62A (600W)	K	4.0
IB = 4.5A (750W)	K	5.8
IB = 6.8A (1500W)	K	12.7
IB = 10.3A (2000W)	K	27.2
IB = 12A (max.)	K	36.6
Losses at IB = 3.4A (600W)	W	~0.45
IB = 3.62A (600W)	W	~0.51
IB = 4.5A (750W)	W	~0.72
IB = 6.8A (1500W)	W	~1.86
IB = 10.3A (2000W)	W	~4.68
IB = 12A (max.)	W	~6.73
Max. cable capacitance	pF	200
Max. distance from lamp	m	3
Max. housing temperature t_c	°C	105
Min. operating temperature	°C	-30
Weight	kg	0.33



mat.no.:		material:		surface /aftertreatment:					
modifi.no.	modification date	name	general tolerances:			2015	date	name	
1			DATASHEET ZRM 12-ES/C 400			drawn			
2						approv.			
3						scale	1 : 1		
4									
5						drawing number		F	I
6						15004499			
7						european projection		copyright	
8						according to ISO 16016			
9			Tržaška cesta 23, SI-2000 Maribor						